



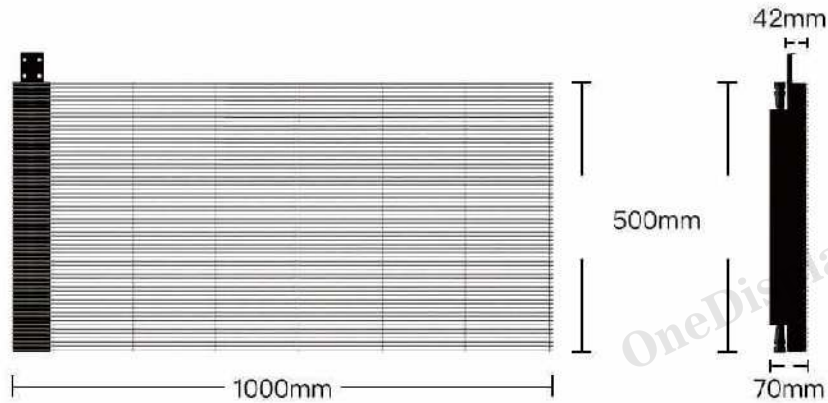
O-CLEAR PRO / SERIES
Indoor&Outdoor Transparency
Led Display

OneDisplay

www.onedisplaygroup.com

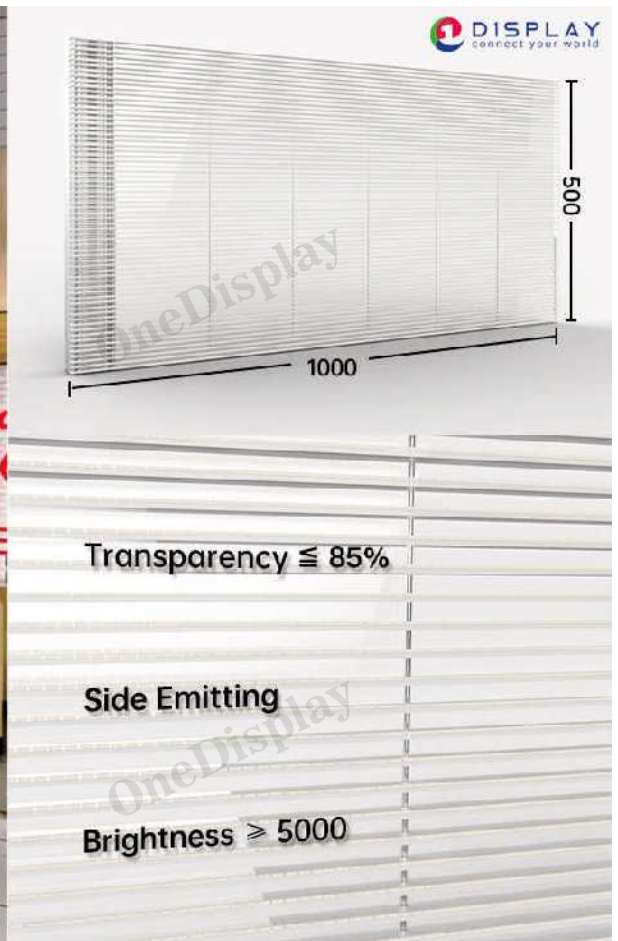


One Display Limited



Parameters

SPECIFICATION	
Pixel Pitch	3.9–7.8mm
Encapsulation brand	LEDVANCE
LED lamp bead model	SMD3010
Pixel composition	1R1G1B
Moudle Reslution(W*H)	128*1
Moudle Size(W*H)	500*2mm
Moudle Fixed Way	Rear Soldering
Panel Reslution(W*H)	256*64
Panel Size(W*H*D)	1000*500*70mm
Panel Arrangement(W*H)	1*64
Panel Weight (kg/panel)	5kg
Panel Material	Aluminum frame
Flatness between modules	≤0.1mm
Maintenance Way	Rear
Density of Pixel (dots/m2)	32768
Brightness(cd/m2)	≥5000
Viewing angle	160°/160°
Transparency	85%
Contrast	6000:1
Protection level	Ip30
Gray scale	14bit
Chromaticity uniformity	±0.003 within Cx,Cy
Driving method	1/8dynamic
Frame change frequency	60
Refresh rate	1920–3840hz
Color temperature	2000K~9500K
Operating platform	Windows XP /7/8/10
Signal Input	HDMI、DVI
Operating Voltage	AC: 110V~240V、50~60Hz
Maximum Power (W/m2)	800
Average power (W/m2)	340
Continuous working time	≥7×24hrs
Service life	100000Hours
Operating environment	-10℃~60℃ 10%~90%RH



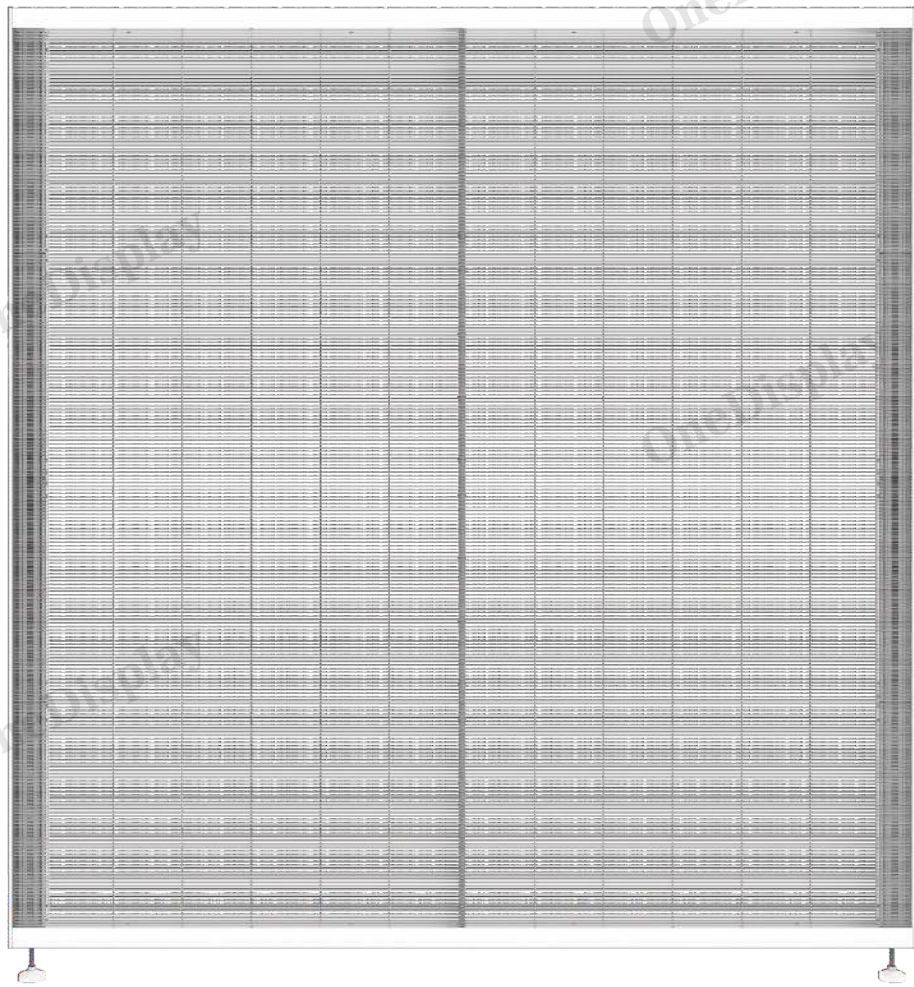
Multiple splicing methods



INSTALLATION MANUAL

TRANSPARENT LED DISPLAY

SIDE LIGHTING--STORES SERIRES



SAFETY INSTRUCTION



WARNING!

Read the following security precautions before installing, running, or maintaining:



IMPORTANT REMINDER

Pls install the products by a professional or under the guidance of a professional. Warning of injury and death caused by improper use of this products; burns, electric shock.



SAFETY INSTRUCTION

Before installing, running, or maintaining this products, pls read this manual carefully and strictly follow the safety precautions and warnings mentioned below.

Do not allow non-professional maintenance personnel to open the box and uninstall the accessories inside.

If you have any questions about safe operation, pls consult the products supplier.



SAFETY INSTRUCTION

When connecting to the AC main wire, pls make sure to the voltage of the AC main wire is 90-264V and the frequency is 50 or 60HZ.

Make sure the products is grounded.

Before installing this products, it is necessary to check that the power distribution equipment and cables are intact and equipped according to the requirements of the current connecting equipment.

Do not use this products if any power cord or plug is damaged, defective or overheating.

Do not attempt to open any protective cover.

Do not cover the products with leaks, masks or other substances.

Do not alter the products without reference of this manual.



FIREPROOF

Replacement parts not mentioned in this manual shall not be installed and used on the interior or surface of the products.

This products is suitable for indoor installation near the window. It is not recommended to use it outdoors or in high temperature. (Special products excepted)



PREVENTION OF INJURY

Due to the product's high height, large package size and heavy weight, please ensure adequate safety measures during handling.

Pls ensure that the products is secured when installed, the led module of this products is pre-maintenance mode.

The products need to be moved backward for maintenance.

Max and Min ambient temperatures:Max: 40 °C Min:-20C



CRITICAL ALERT

Electric leakage:

In order to prevent the risk of electric shock caused by leakage, please ensure that the product is installed with a grounded wire.Please ensure that the power cord and connector are in good condition before use.

Waterproof: This product is not waterproof,it is strictlyprohibited to use in the place with water spray.

Power system

Main line: The power cord cannot be repaired. If there is any damage, please replace it with a new one.

Signal line:

The system signal line has special safety properties. This products pls use CAT 6e.

Signal line cannot be repaired. If it is damaged, pls replace it with a new one. It is forbidden to try to repair.

The length of signal line should not exceed 100mm (332feet). Avoid accidental contact with lightning or conductive body.

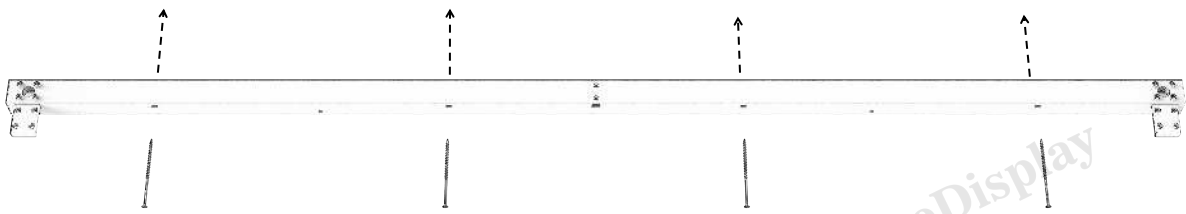


POWER SYSTEM

INSTALLATION

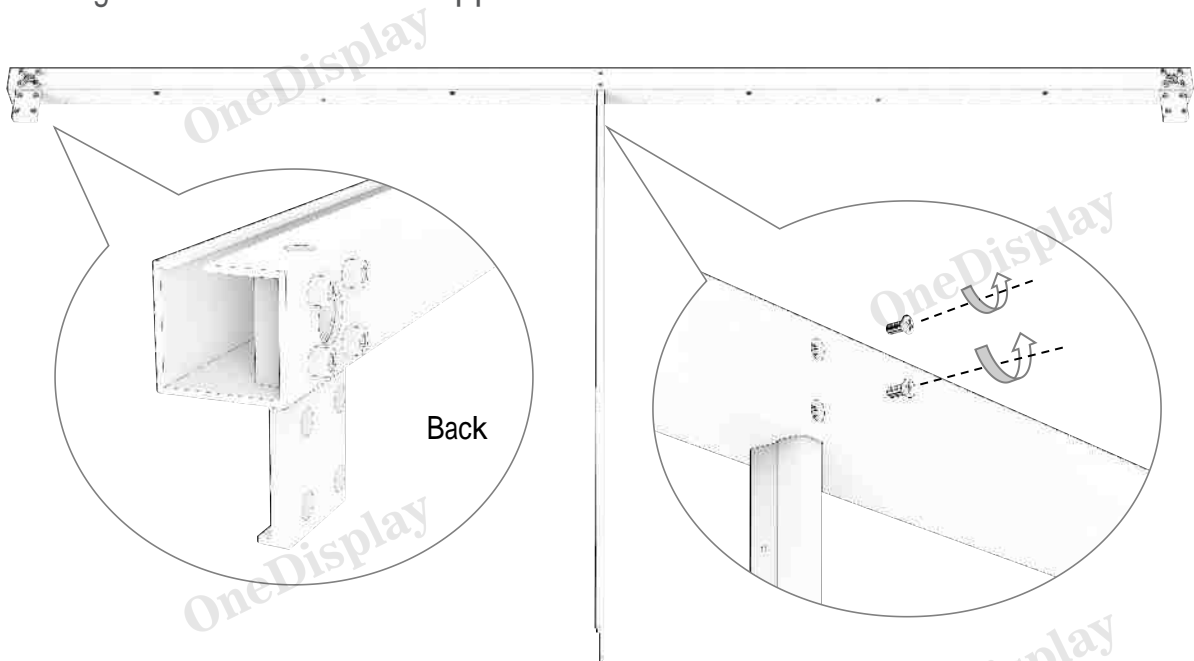
1. Fixing method of top bracket:

(PS: Make sure the top fasteners are load-bearing and firm.)

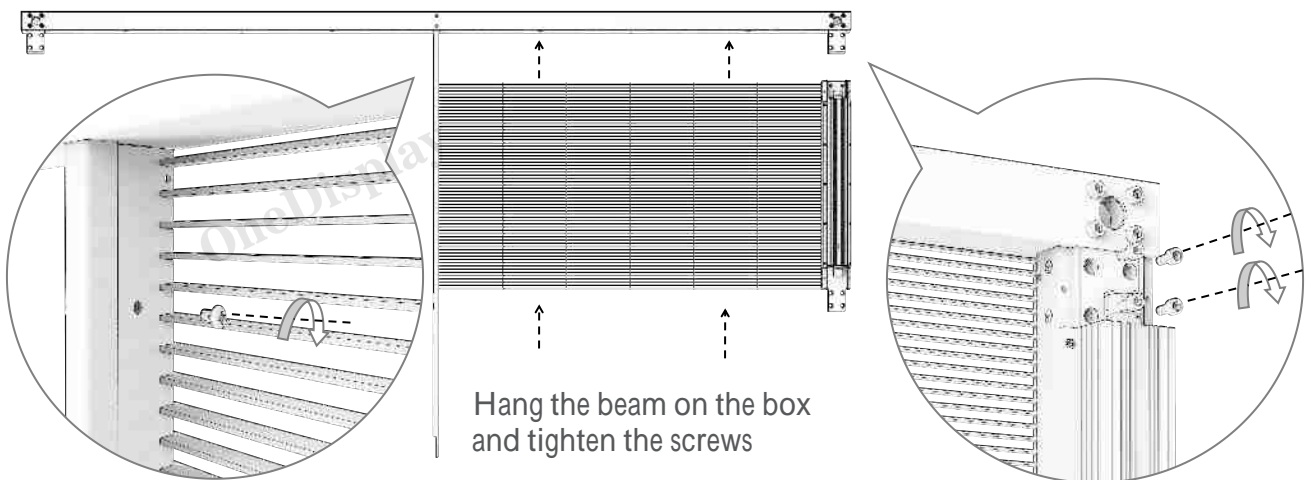


Fix the upper crossbeam on top with long screws according to the position of the incoming line

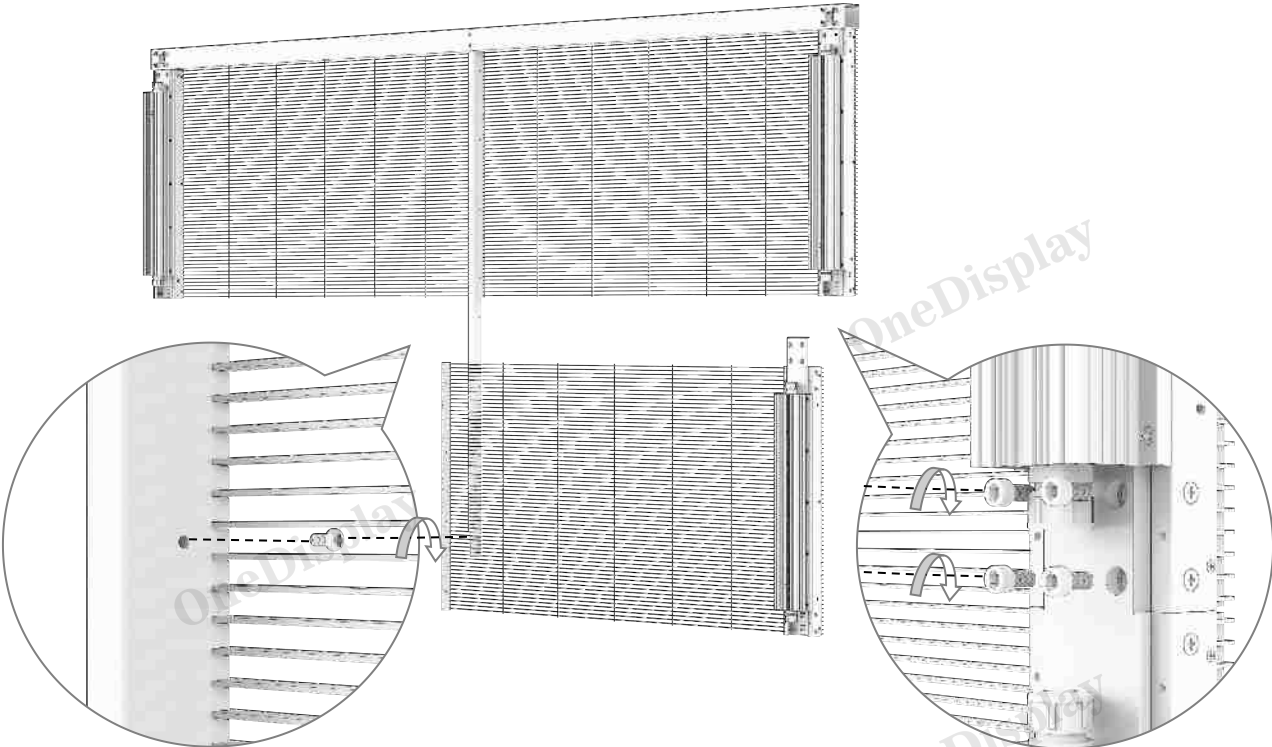
2. Fixing of beam with middle support



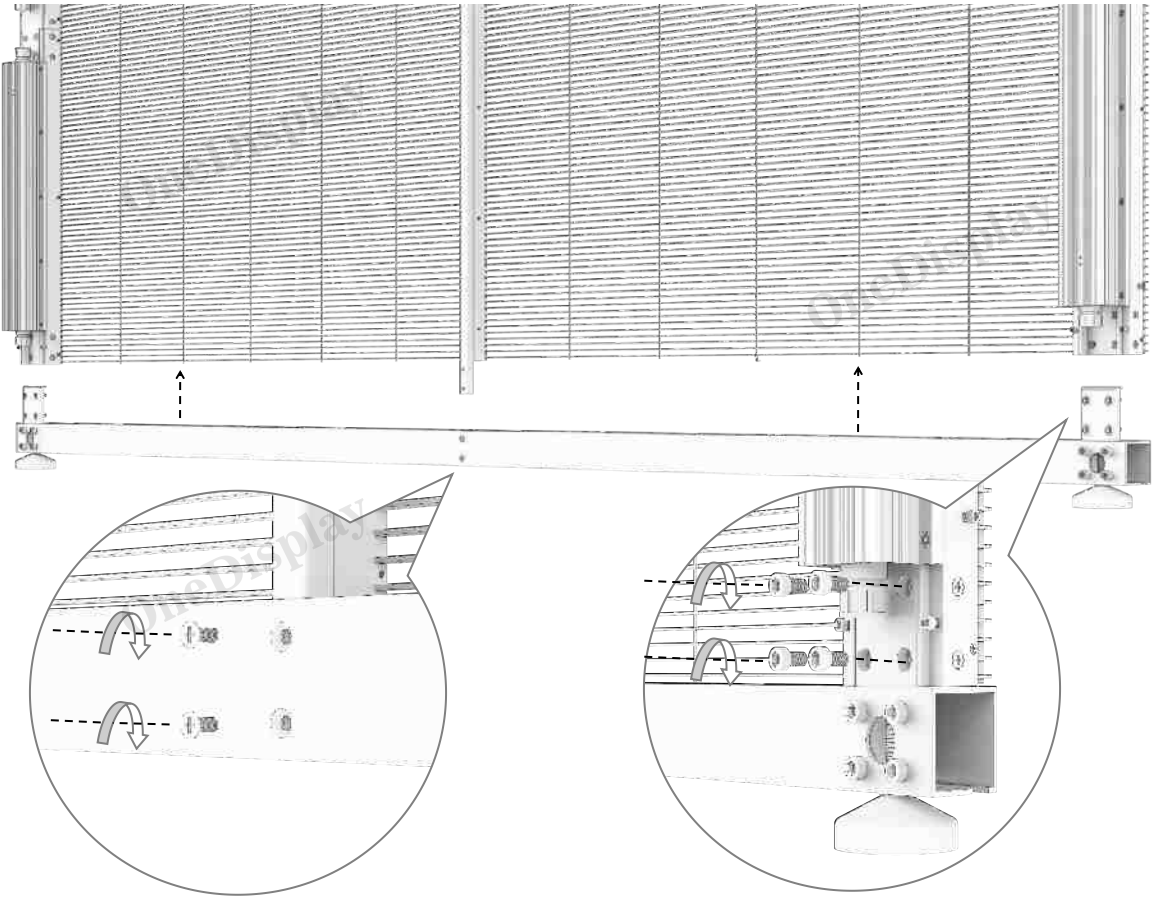
3. Fixing of hanging beam and cabinet:



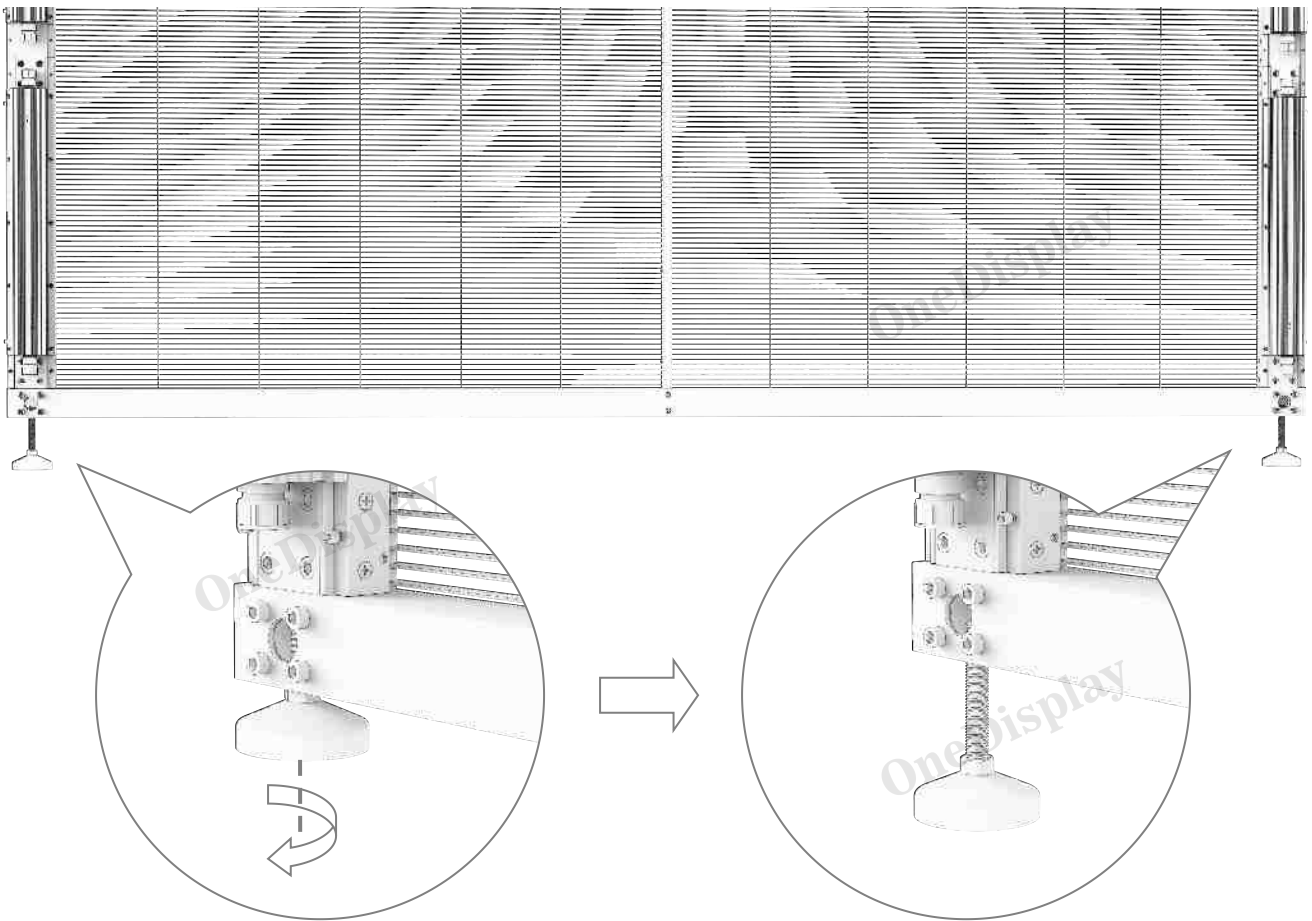
4. Installation between cabinet and cabinet:



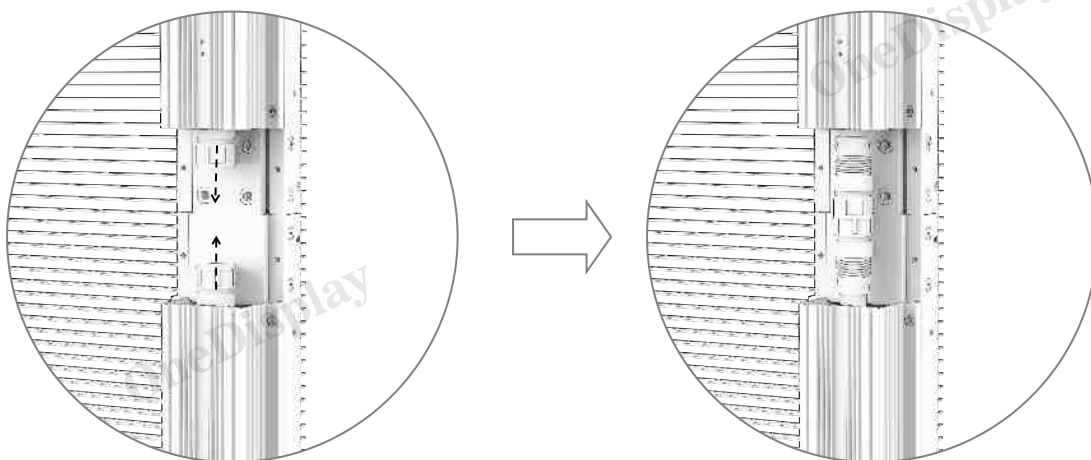
5. Installation of cabinet and bottom end rail:



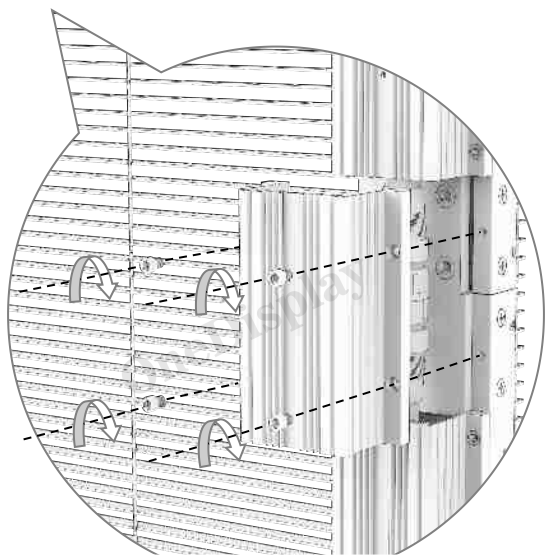
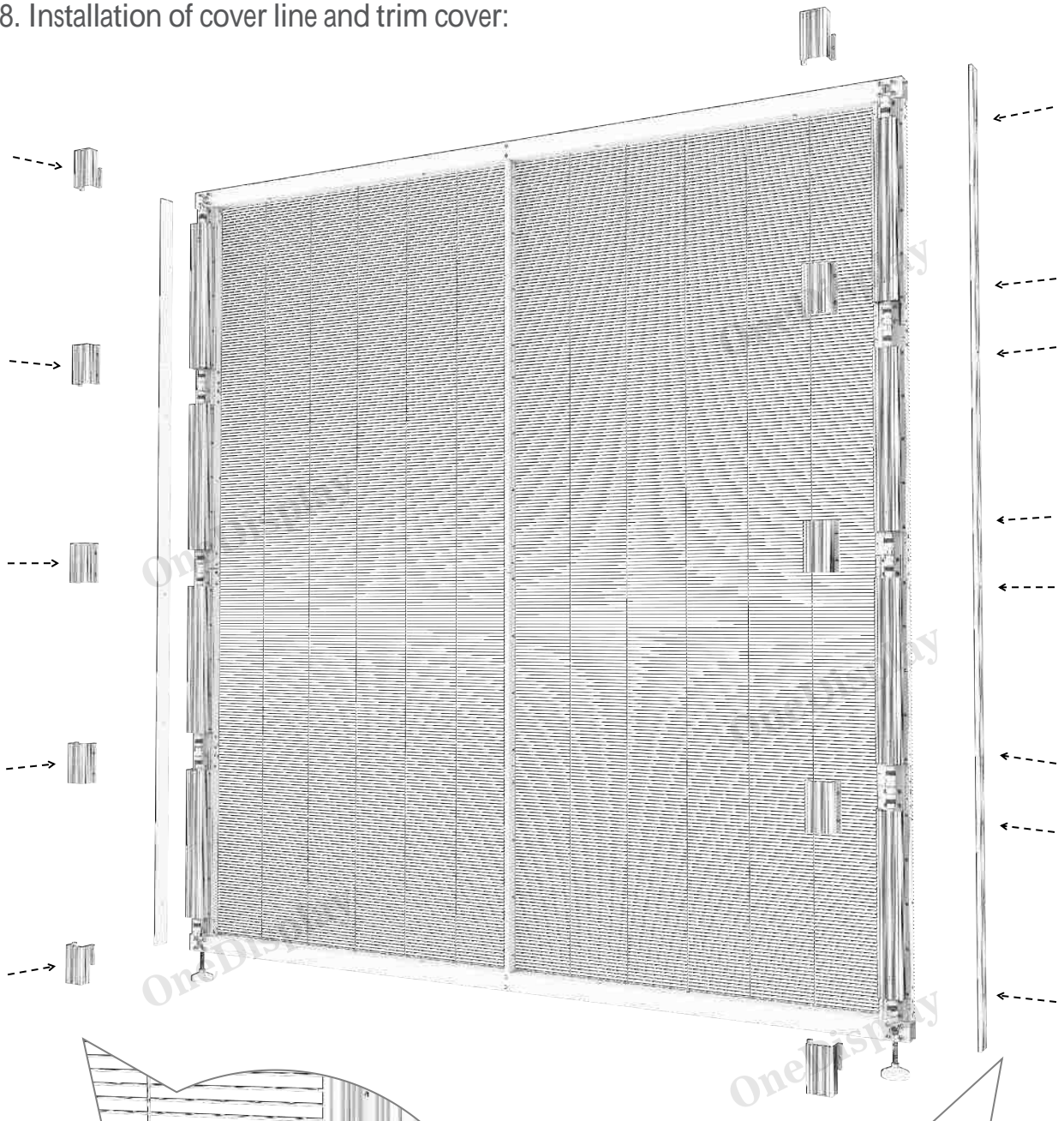
6. Use the foot cup to fix the screen:



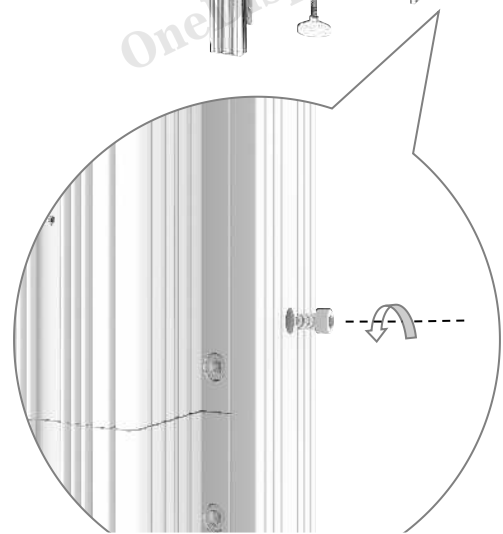
7. Connect the power cord and network cable:



8. Installation of cover line and trim cover:



Install the wire cover in turn and tighten the screw



Install the trim cover and tighten the screw

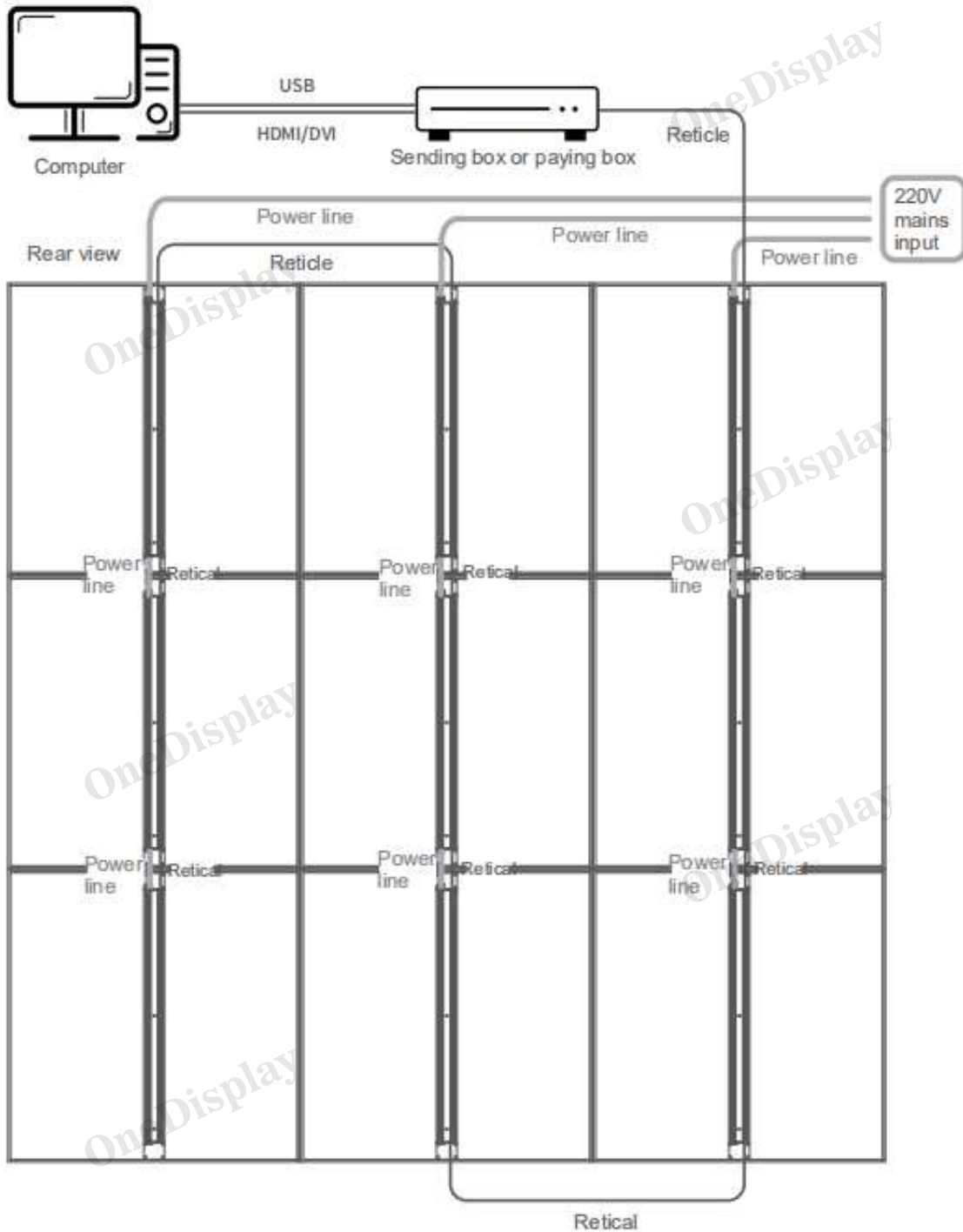
MODE OF CONNECTION

1.Connection mode of network cable

PS. The playing box is in the upper right corner behind the screen.

2.Connection mode of power supply

PS.Each power cord shall be connected to 10 pcs 1000*1000mm cabinet at most.



O-CLEAR PRO
SERIRS

LED Screen Manufacturer in China



OneDisplay Limited

Office Number: +86 755-2324 2986

Phone/Whatsapp: +86 136 3278 9913

Email: marketing@onedisplay.net / info@onedisplaygroup.com

Address: Building 5A, Huaqiang Idea Park, GuangMing New District,
Shenzhen, 518107, China.

