

O-KING / SERIES

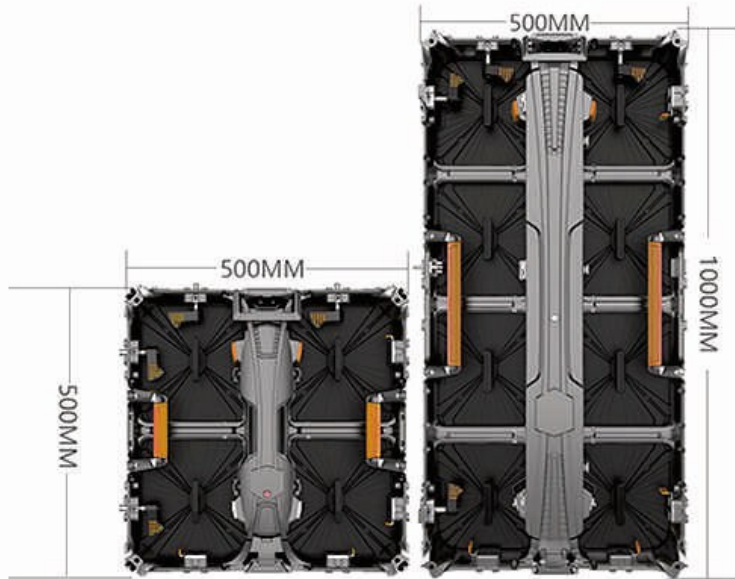
Outdoor Stage Event Rental

Led Display



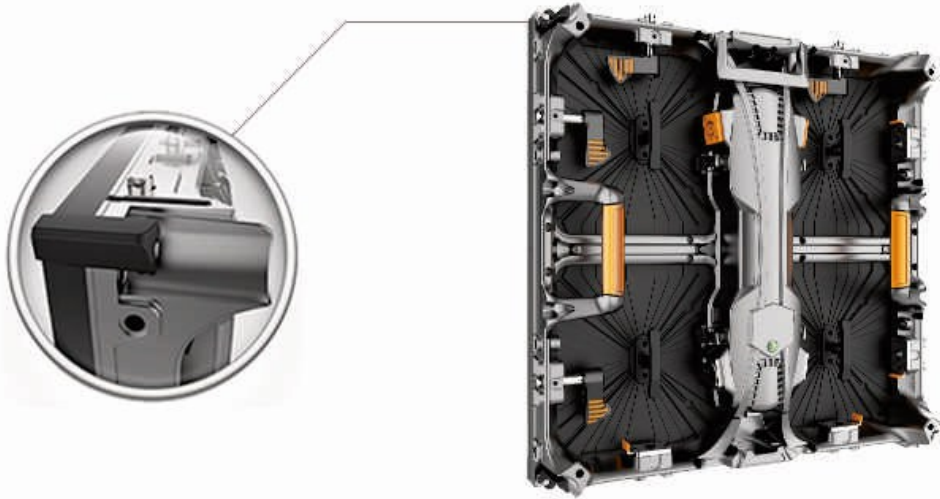
www.onedisplaygroup.com

One Display Limited



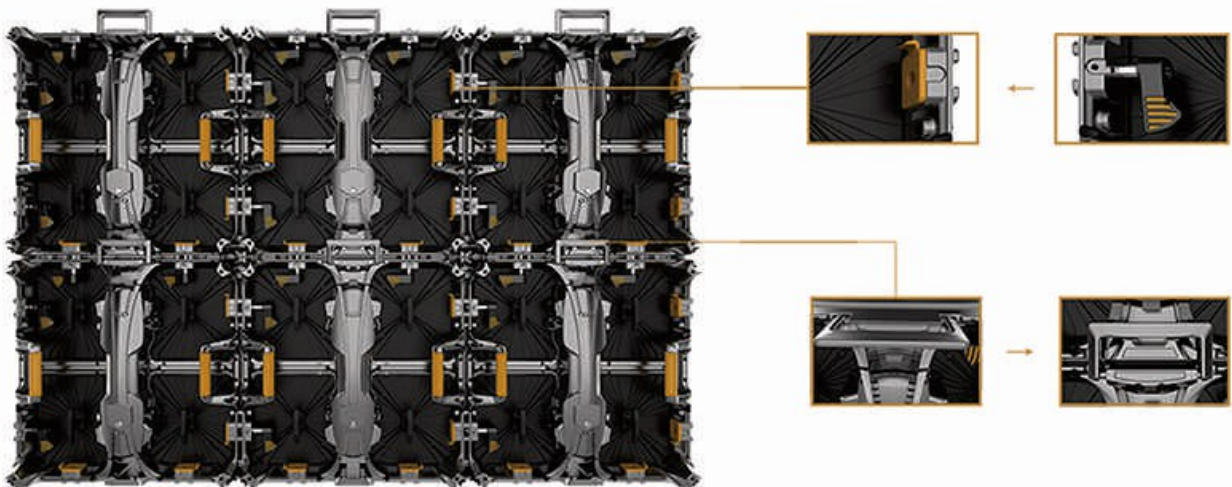
Parameters

SPECIFICATION		
Pixel Pitch	3.91mm	4.81mm
Encapsulation brand	NationStar	
LED lamp bead model	SMD1921	SMD2727
Pixel composition	1R1G1B	
Module Reslution(W*H)	64x64	52x52
Moudle Size(W*H)	250x250mm	250x250mm
Panel Reslution(W*H)	128x128	104x104
Module Arrangement(W*H)	2x2	
Panel Size(W*H*D)	500x500mm	
Density of Pixel (dots/m ²)	65536	43264
Panel Weight (kg/panel)	8.5kg	
Panel Material	Die-casting aluminum frame	
Flatness between modules	≤0.1mm	
Maintenance Way	Rear Access Maintenance	
Viewing angle	140°/140°	
Brightness(cd/m ²)	4500	
Contrast	6000:1	
Protection level	Ip65	
Gray scale	14bit	
Chromaticity uniformity	±0.003 within Cx,Cy	
Driving method	1/16	1/13
Frame change frequency	60	
Refresh rate	1920/3840	
Color temperature	2000K~9500K	
Operating platform	Windows XP /7/8/10	
Signal Input	HDMI、DVI	
Operating Voltage	AC: 110V~240V、50~60Hz	
Maximum Power (W/m ²)	1200	
Average power (W/m ²)	480	
Continuous working time	≥7x24hrs	
Service life	100000Hours	
Operating environment	-10℃~60℃ 10%~90%RH	



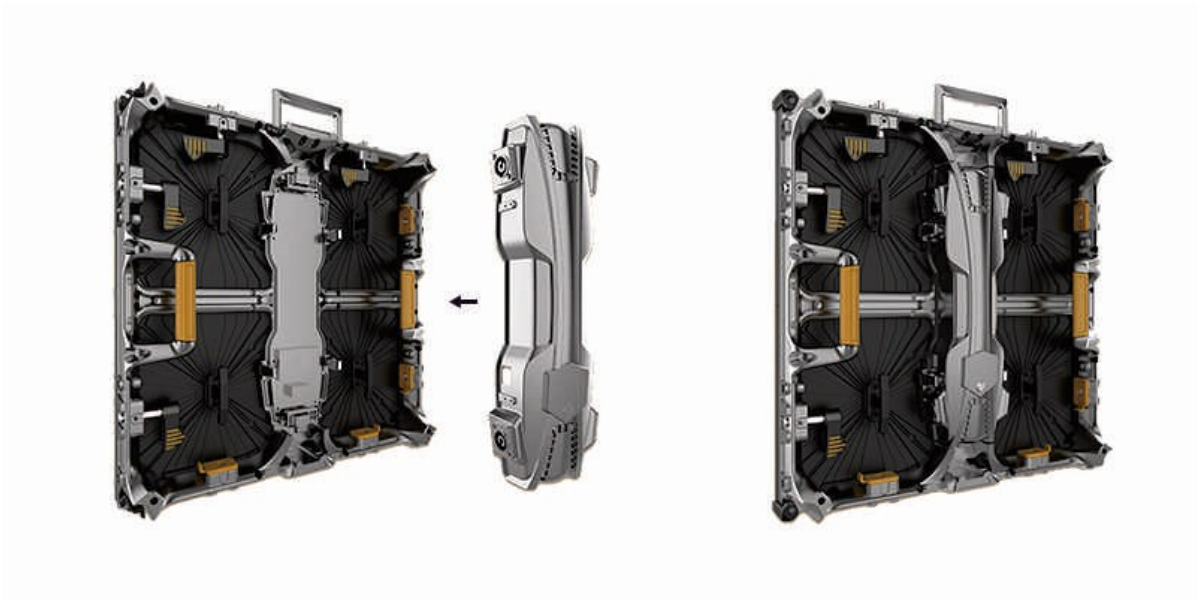
High Strength Corner Protector

Fold able all-around corner protector, Each pixel well-protected.



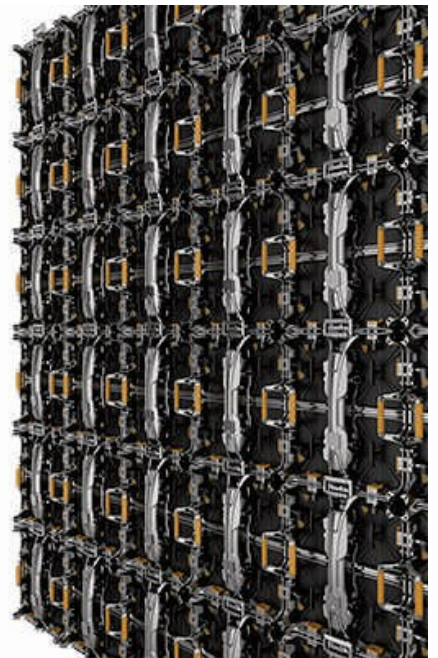
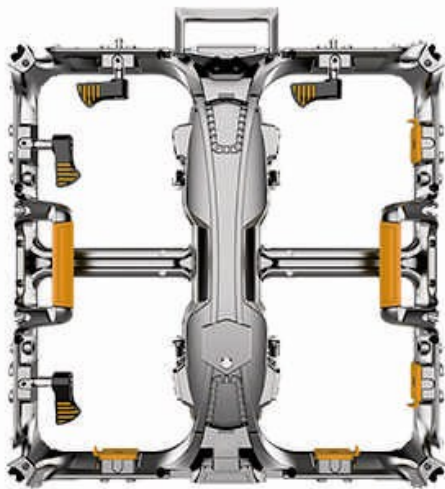
Fast assemble & Cable free design

With fast lock design , O-KING series is more easy and fast to assemble and disassemble, Cable free design means that there is no cable connection between the LED module and the receiver card which makes the signal transmission more stable.



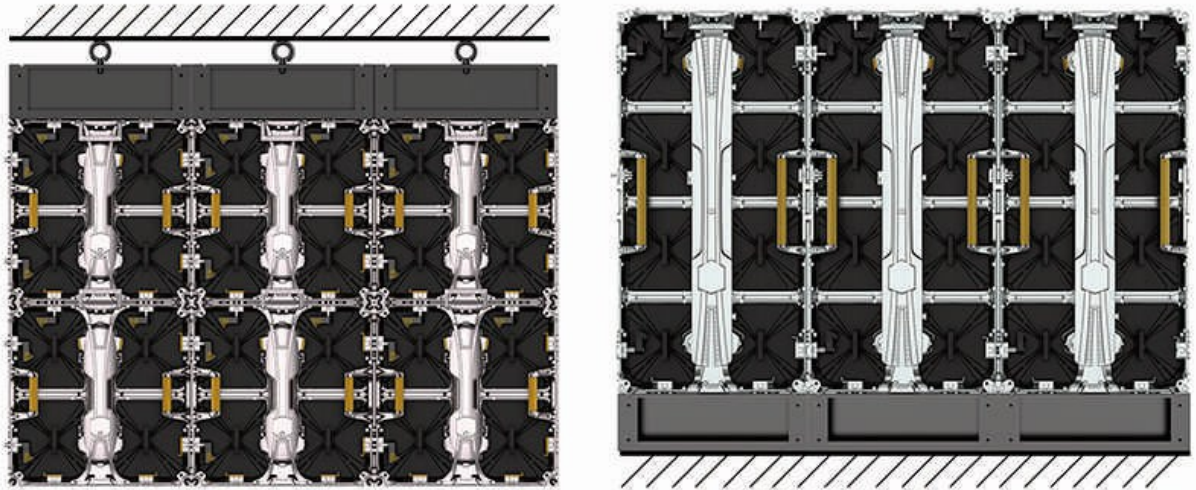
Pluggable Power Box

Cableless design, Power box quick changing , saving time.



High Precision Aluminium Cabinet

Aluminium alloy material, Solid frame, non-deformed, For free to disassembly and assembly, Splicing accuracy , flatness.

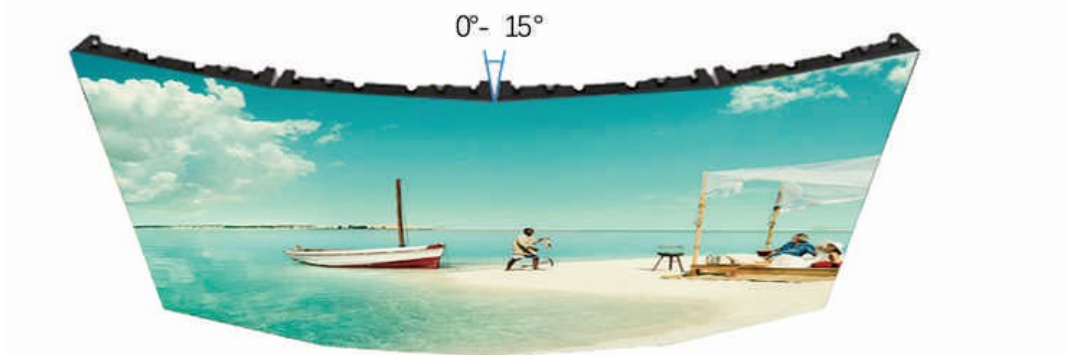


TUV Certificated Multi-function Hanging Bar

For easy to use as hanging or ground basement, High strength structure , non-deformed TUV Certification



Concave angle: 0°- 15° (7.5°/pcs,only curved cabinet)



Creative Internal Curved Design

No need curved lock, Customized seamless internal curved splicing



High definition Picture & Performance

Nationstar Brand-Led Lamps, Accurately Deploy Each LED's Parameters To Make The Whole Screen With High Color Uniformity And High Stability.



Brilliant Visual Performance

O-KING Series LED signage always quickly captures the audience's attention and provides impressive visual experience. Meanwhile, using black LED will increase the color contrast of the screen.

Outdoor Rental Led Screen

O-KING
SERIRS

LED Screen Manufacturer in China



OneDisplay Limited

Office Number: +86 755-2324 2986

Phone/Whatsapp: +86 136 3278 9913

Email: marketing@onedisplay.net / info@onedisplaygroup.com

Address: Building 5A, Huaqiang Idea Park, GuangMing New District,
Shenzhen, 518107, China.

